

Pneumatic sheet alignment

For LTG unloading machines

In perfect rank and file!

The timed-action pneumatic sheet alignment device provides for precise positioning of the sheets before they are placed on the unloading machine. The device is adjusted by way of a hand wheel and clamping lever, with a corresponding scale to facilitate the desired setting. The alignment can also be set asymmetrically and is thus especially suitable for use with scroll sheets.

In conjunction with a dynamic sheet accelerator (Upgrade 6.3) and an overhead brake in the stacker (Upgrade 6.6/6.7), pneumatic sheet alignment ensures exact, damage-free stacking of the sheets – an ideal prerequisite for improved downstream further processing.

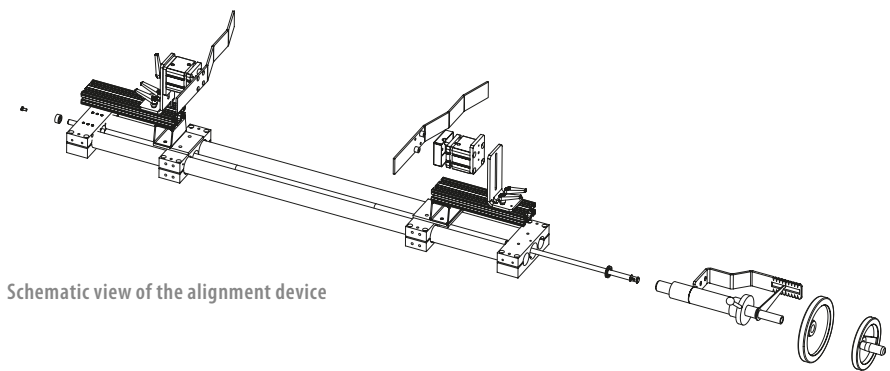
For LTG unloading machines manufactured from 1975.

Upon request.

Depending on the technical configuration of your equipment we can offer a comprehensive consultation service. We will be pleased to supply you with a quotation tailored to your specific needs. Please feel free to contact us.

Tel. +49-711-6 99 71-300 · Fax +49-711-6 99 71-185 · spare-parts@kba-metalprint.de

The advantages	Your benefits
<ul style="list-style-type: none"> ■ Precise delivery to the unloading machine 	<ul style="list-style-type: none"> ■ Greater production reliability
<ul style="list-style-type: none"> ■ Asymmetrical settings possible 	<ul style="list-style-type: none"> ■ Especially suitable for scroll sheets
<ul style="list-style-type: none"> ■ Exact sheet alignment 	<ul style="list-style-type: none"> ■ Improved further processing



KBA-MetalPrint GmbH

Wernerstr. 119-129 · 70435 Stuttgart, Germany
 Phone +49 711 699 71-0 · Fax +49 711 699 71-670
info@kba-metalprint.de · www.kba-metalprint.com