

KOENIG & BAUER

# Maintenance Packages for MetalCoat Coating Machines

Get it Now  
and Save!



we're on it.

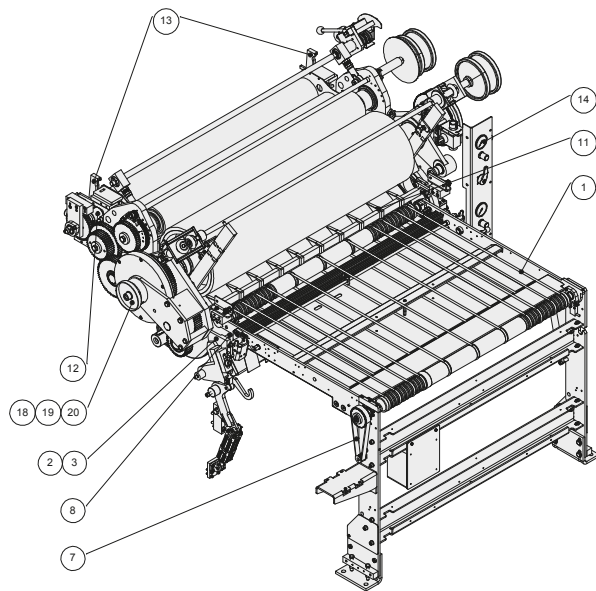
# Maintenance Packages for MetalCoat Coating Machines – Get it Now!

## Our maintenance packages:

- Tailored to meet the high demands of sheet metal
- Include essential spare and wear parts
- Based on years of global experience in supporting and repairing printing and coating lines
- Provide clear visualisation of the installation location with photos and drawings

**Good to know: We only use original spare parts, ensuring the proven Koenig & Bauer quality.**

Item No.	Description
E64812	Maintenance package feeder 780 BASIC
E64813	Maintenance package feeder 780 PLUS
B03661	Maintenance package VacuMatic infeed table
B03662	Maintenance package coating machine 470
E66407	Maintenance package coating machine 470 VENTURI
B03663	Maintenance package coating machine 483
E66411	Maintenance package coating machine 483 VENTURI
E66416	Maintenance package sheet conveyors VENTURI

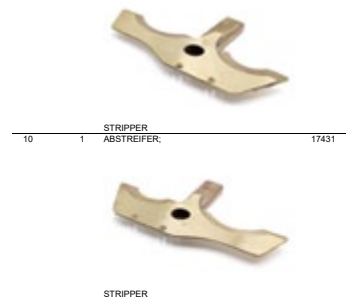
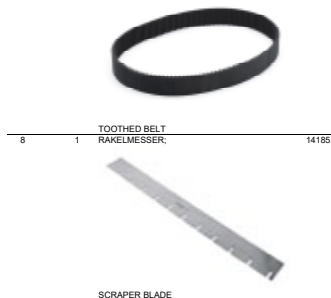


**Simple and budget-friendly: Order the most common spare and wear parts now in a single package with just one order number and save significantly compared to individual purchases.**

**We would be pleased to provide you with a personalised offer at an attractive price.**

Pos. Item	SF	Menge Qty	Benennung Designation	Telle Nr. Part No.
000	1		WARTUNGSPAKET LACKIERMASCHINE 470; MAINTENANCE PACKAGE COATER 470	B03662
7	1		ZAHNRIEMEN;	D05987

Pos. Item	SF	Menge Qty	Benennung Designation	Telle Nr. Part No.
9	1		ABSTREIFER;	17430



Please contact the service department of Koenig & Bauer MetalPrint at:

**Koenig & Bauer MetalPrint GmbH**

T +49 711 699 71-300

service-metalprint@koenig-bauer.com

metalprint.koenig-bauer.com

This special offer cannot be combined with other promotions or discounts. Changes and errors excepted.

10/2024-en

© Koenig & Bauer MetalPrint GmbH, Stuttgart