

KOENIG & BAUER

Maintenance Packages for Mailänder Printing Presses

Get it Now
and Save!



we're on it.

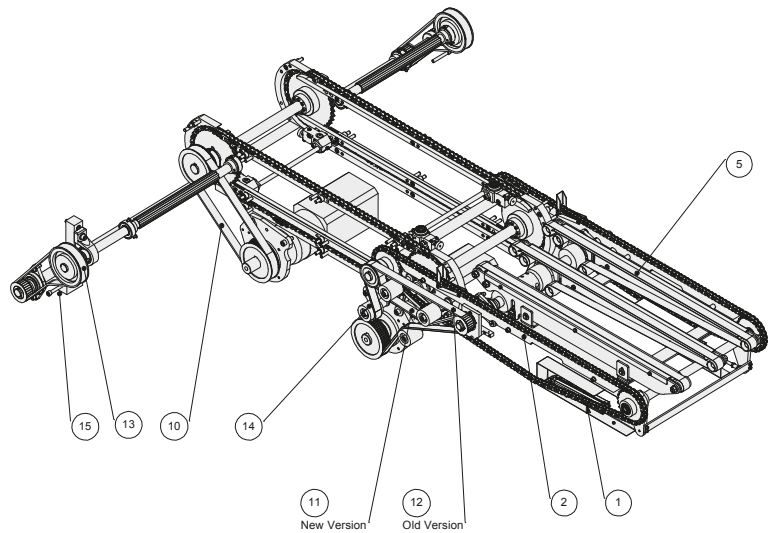
Maintenance Packages for Mailänder Printing Presses – Get it Now!

Our maintenance packages:

- Tailored to meet the high demands of sheet metal
- Include essential spare and wear parts
- Based on years of global experience in supporting and repairing printing and coating lines
- Provide clear visualisation of the installation location with photos and drawings

Good to know: We only use original spare parts, ensuring the proven Koenig & Bauer quality.

Item No.	Description
E64812	Maintenance package feeder 780 BASIC
E64813	Maintenance package feeder 780 PLUS
B03405	Maintenance package Mailänder 283 sheet running BASIC
B03406	Maintenance package Mailänder 283 sheet running PLUS
B03940	Maintenance package Mailänder 283 printing unit BASIC
B04258	Maintenance package Mailänder 283 printing unit PLUS



Simple and budget-friendly: Order the most common spare and wear parts now in a single package with just one order number and save significantly compared to individual purchases.

We would be pleased to provide you with a personalised offer at an attractive price.

Pos. Item	SF	Menge Qty	Benennung Designation	Telle Nr. Part No.	Pos. Item	SF	Menge Qty	Benennung Designation	Telle Nr. Part No.
13		2	ZAHNRIEMEN	N2435	15		2	SPANNROLLE	N3679
14		4	TOOTHED BELT SPANNROLLE	N2443	30		10	TENSION ROLLER GREIFERSPITZE	D58601
			TENSION ROLLER					GRIPPER TIP	

Please contact the service department of Koenig & Bauer MetalPrint at:

Koenig & Bauer MetalPrint GmbH

T +49 711 699 71-300

service-metalprint@koenig-bauer.com

metalprint.koenig-bauer.com

This special offer cannot be combined with other promotions or discounts. Changes and errors excepted.

10/2024-en

© Koenig & Bauer MetalPrint GmbH, Stuttgart